

**FORZA** 



## Oil filter wrench

Manual

**Serie 5000 - 5100**



# INDEX

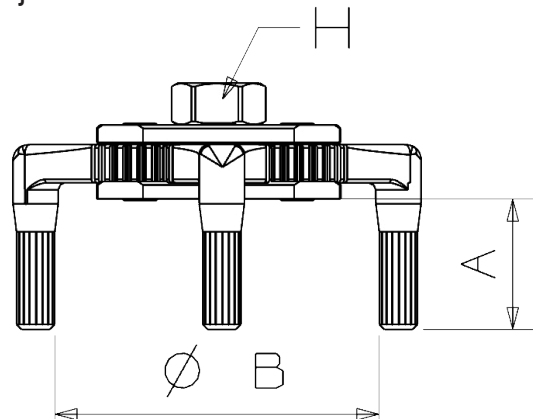
1. Technical features serie 5000	4
2. Oil filter wrenches 5000	4
3. Oil filter wrenches 5100	5
4. Adapter to use with hex wrenches	5
5. Magnetic oil filter wrench	6
6. General safety instructions	7

## ■ 1. THECHNICAL FEATURES SERIE 5000

3 hardened high-strength CrMo tempered steel jaws.  
 For wrench and ratched.  
 Hardened CrMo steel central gear  
 It can work to the left to release or to the right to tighten.  
 Hexagonal head adaptor included.

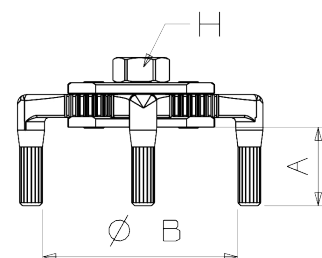
## ■ 2. OIL FILTER WRENCHES 5000

Oil filter wrench with three steel tempered jaws. It can either be used a fix key or a wrench.



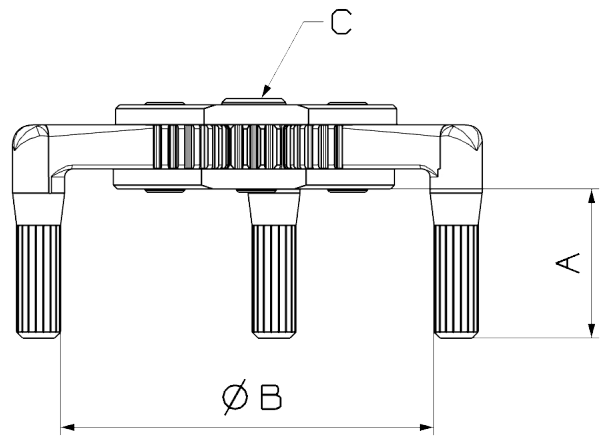
Reference	B min	B max	H	A	Weight	Cuadradill
5000	55	72	20	31	0,4	3/8"
5001	68	110	24	37	0,8	3/8"
5001G	110	142	30	55	1,9	1/2"

Specially design extractor for trucks (Renault & Volvo)  
 5001RF reinforced extractor,  
 50% higher trength  
 Solutions for over-tightened filters.  
 It can work up to 350Nm..



Reference	B min	B max	H	A	Weight
5001RF	68	110	24	37	0,8

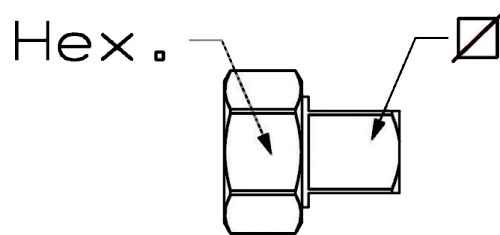
■ **3. OIL FILTER WRNCHES 5100**





Reference	B min	B max	A	Weight	C
5100	55	72	31	0,3	3/8"
5101	68	110	37	0,7	3/8"
5103	110	142	55	1,8	1/2"

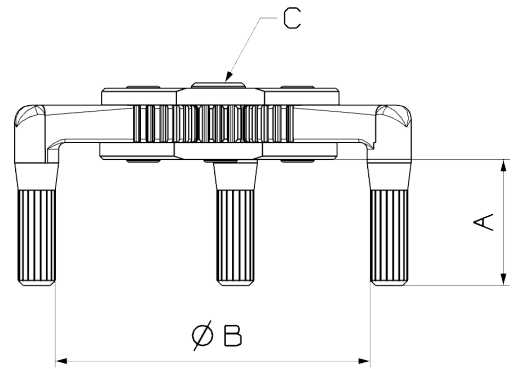
■ **4. ADAPTOR TO USE WITH HEX WRENCHES**

It is feasible to use the adaptor either in Serie 5000 and 5100.



Reference			Valid for....
510046	3/8"	20	5100 - 5100M
510146	3/8"	24	5101 - 5101M
510346	1/2"	30	5103 - 5103M

## ■ 5. MAGNETIC OIL FILTER WRENCH

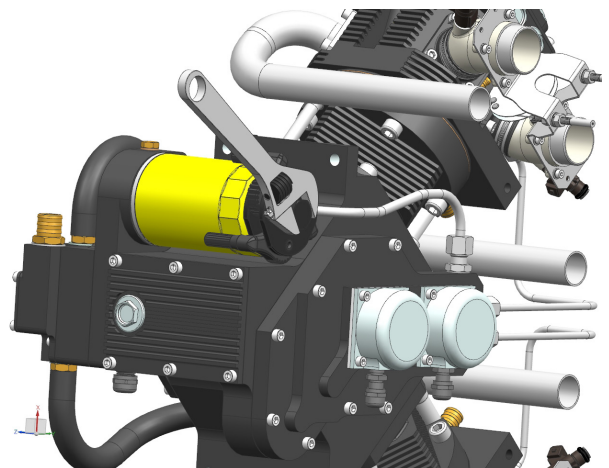
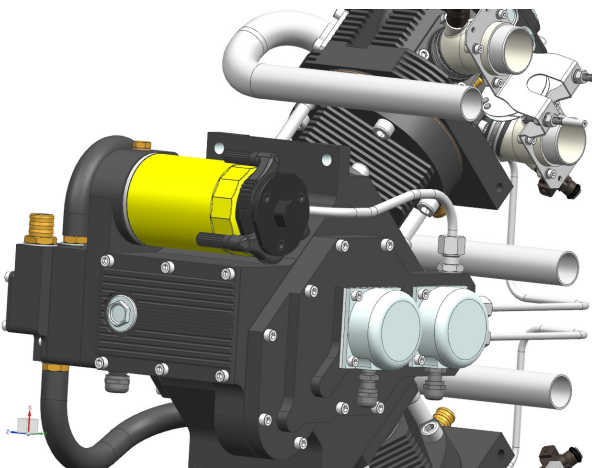


### With adaptor

Reference	B min	B max	H	A	Weight
5000M	55	72	20	31	0,3
5001M	68	110	24	37	0,7
5001GM	110	142	24	55	1,8

### Without adaptor

Reference	B min	B max	A	Weight	C
5100M	55	72	31	0,3	3/8"
5101M	68	110	37	0,7	3/8"
5103M	110	142	55	1,8	1/2"



■ 6. GENERAL SAFETY INSTRUCTIONS



- 1- Mantenga las normas de higiene y seguridad en el trabajo.
- 2- Wear all necessary safety equipments.



S.L. de Herramientas Especiales Forza  
C/ San Miguel de Atxa, 24  
01010 Vitoria  
[www.forza.es](http://www.forza.es)

---

